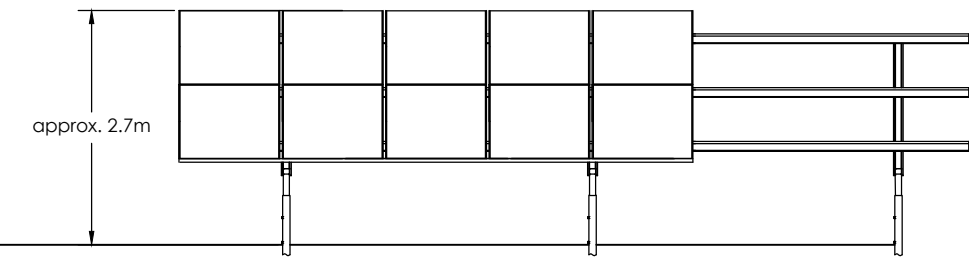
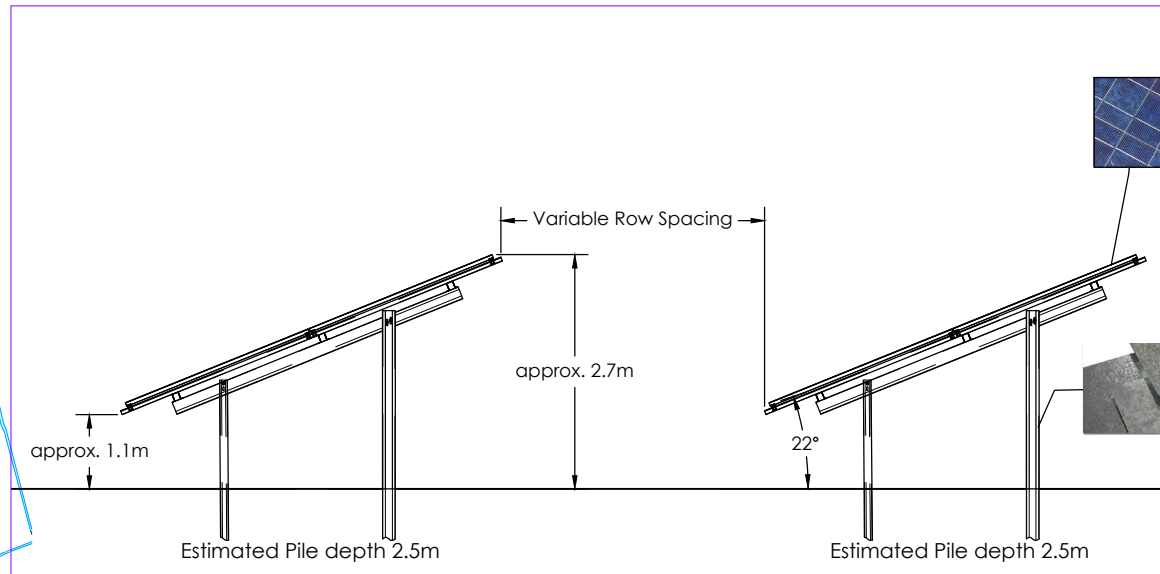
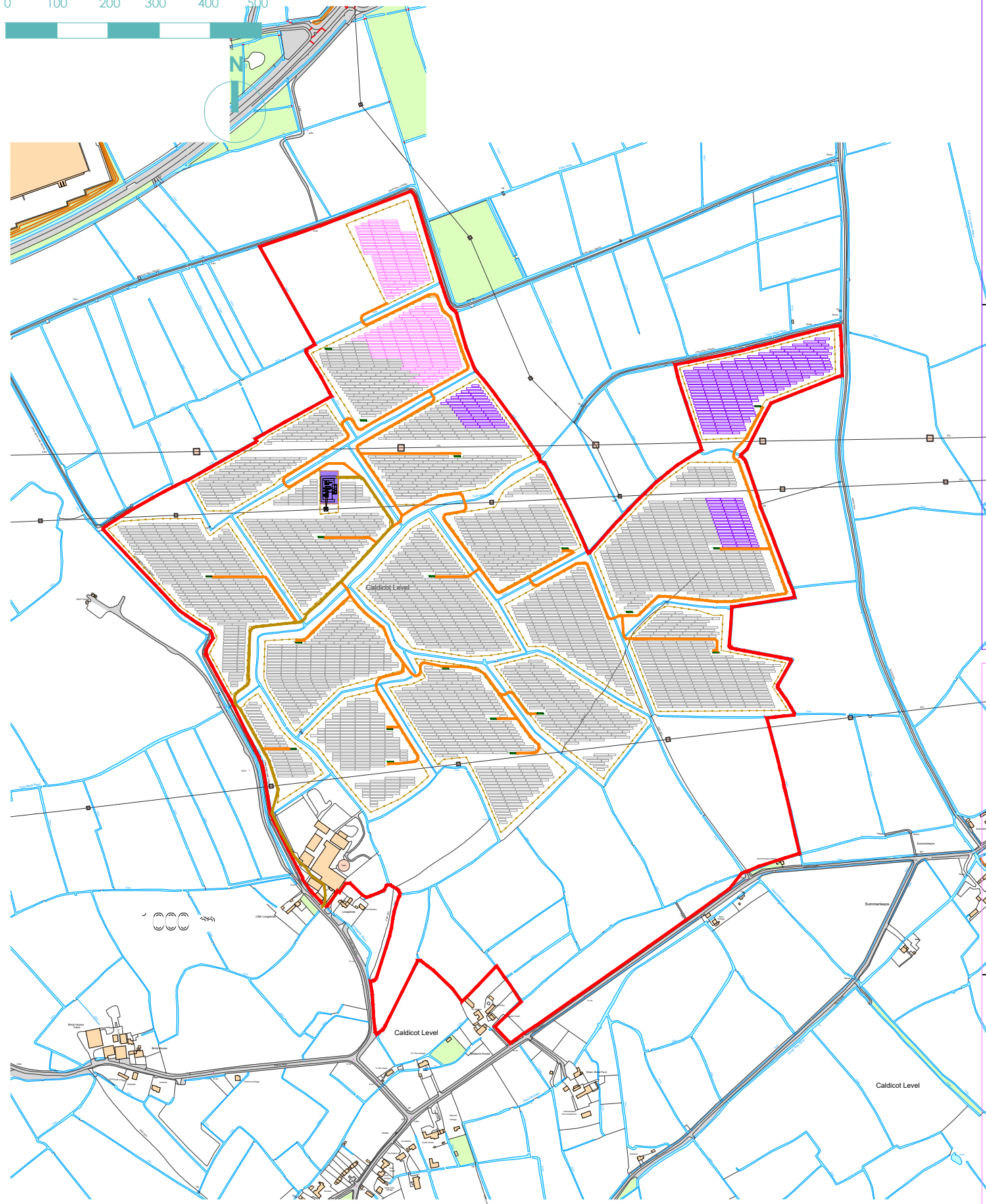
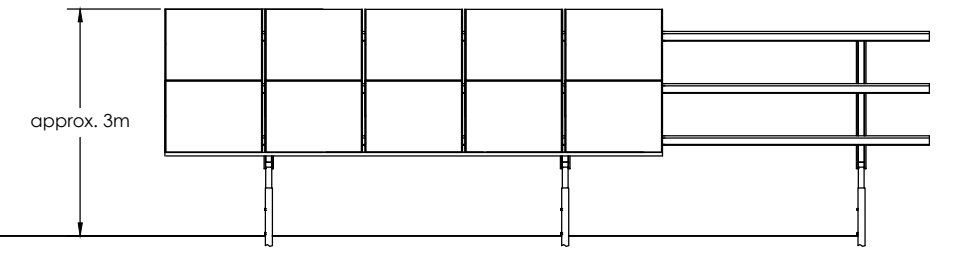
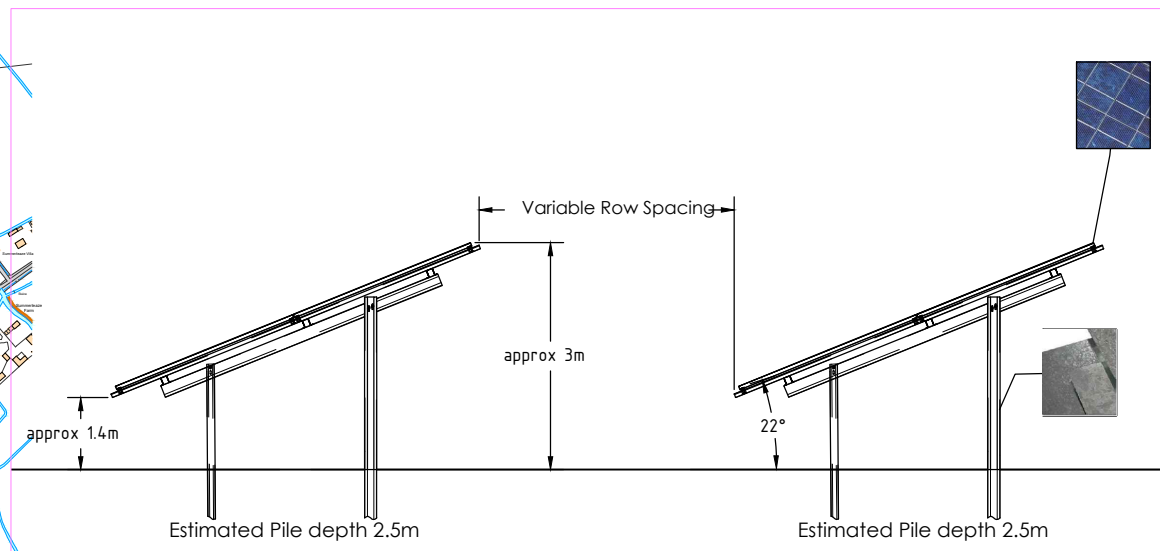


0 100 200 300 400 500



Mounting system elevation with flood dept 1.1m



Mounting system elevation with flood dept 1.4m

Notes: Unless otherwise stated, this drawing is for information only. Do not scale. Use figured dimensions only. Check all dimensions on site and advise of any discrepancies before commencing work on site.

Digital Transmissions: This data is supplied only as a means to aid you in the production of your work, the data should always be checked against the hard copy of the drawing. Some of the data may have been produced by imparting data from external sources, discrepancies may have occurred during this procedure. BSR cannot accept responsibility for any discrepancies within the CAD data file. No third party shall issue BSR data/drawings without the written approval of BSR. BSR check all data for viruses but cannot accept responsibility for any loss incurred by any third party as a result of installing data.

OS License No. :- 100022432

- Key:
- Planning Boundary
 - Security Fence
 - Substation Area
 - Inverter Stations
 - Access to Substation
 - Inverter Access
 - Mounting system with flood Dept 1.1m
 - Mounting system with flood Dept 1.4m

Standard Mounting System Elevation 1578-0201-28

Rev:	Revision History:	Date:	By:
01	Initial Issue	14/07/20	JA
02	Layout amended	12/08/20	JA

35 and 35a The Mallings E:info@brillshrenewables.com
 Lower Charlton Trading Estate, T:01458 224900
 Shepton Mallet, W:www.brillshrenewables.com
 Somerset,BA4 5QE
 United Kingdom

Project:
Rush Wall Solar Park

Location:
 South of Rush Wall Lane
 Redwick,
 Caldicot
 NP26 3DX

Title:
Flood Risk Mitigation Plan

Scale: 1:10,000 @A3

Issue Notes:
 Layout notes amended

Drawn By:
 JA Issue Date:
 12/08/20

Checked By:
 MB Checked Date:
 12/08/20

Approved By:
 CR Approved Date:
 13/08/20

Drawing Number:
1578-0201-01

Drawing Status:
 Approved Issue:
 02

